

Product Overview:

RM3272S is a high-precision AC/DC converter controller of CC/CV PSR.

RM3272S integrates high-voltage power MOSFET, suitable for high-performance, compact charger and adapter. Because the chip works in primary detection and control mode, it does not require optocoupler and TL431.

RM3272S provides comprehensive protection functions, including VDD under voltage protection (UVLO), cycle current protection (OCP), VDD over voltage protection (OVP), over temperature protection (OTP), output short circuit protection (OLP), and CS open / short circuit protection (CS O / SP) and so on.

RM3272S is offered in SOP-8 package.

System Specifications: 5V/1.5A

Input Voltage	85Vac-265Vac	Output Voltage	6W
Power Tube	600V/2A	Efficiency	≥75.5%
CV tol.	≤±5%	Standby Power Consumption	< 200mW
CC tol.	≤±5%	Transformer	EE16

Typical Application:

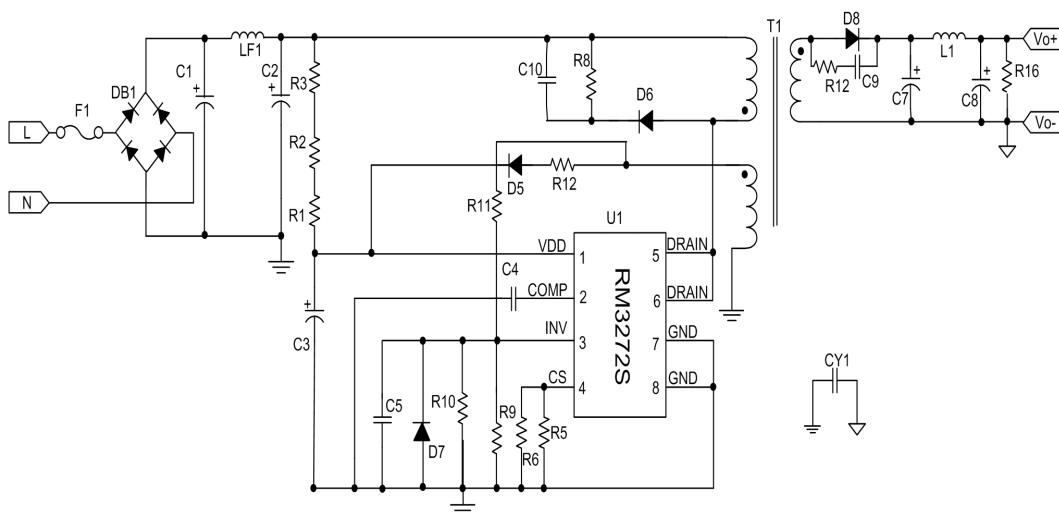
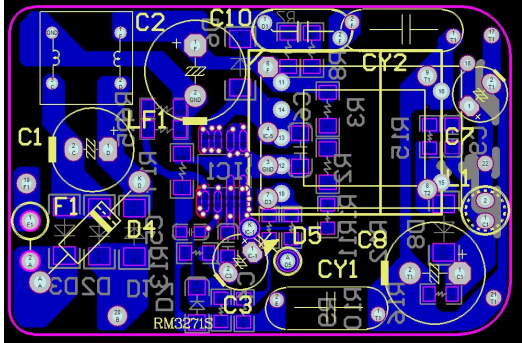


Figure 1. system application schematic

BOM of the system:

No	Component	Specification Models	Amount	Location number	Packaging Requirements
1	Slow Current Fuse	250V,1A	1	F1	DIP
2	SMD Resistor	820K Ω ,0.125W, \pm 10%	1	R1	SMD0805
3	SMD Resistor	820K Ω ,0.25W, \pm 10%	2	R2 R3	SMD1206
4	SMD Resistor	3.3 Ω ,0.25W, \pm 1%	2	R5 R6	SMD1206
5	SMD Resistor	100K Ω ,0.25W, \pm 1%	1	R8	SMD1206
6	SMD Resistor	5.6K Ω ,0.125W, \pm 1%	1	R9	SMD0805
7	SMD Resistor	39K Ω ,0.125W, \pm 1%	1	R11	SMD0805
8	SMD Resistor	2.2 Ω ,0.125W, \pm 1%	1	R12	SMD0805
9	SMD Resistor	820 Ω ,0.125W, \pm 1%	1	R16	SMD0805
10	Electrolytic Capacitor	10 μ F,400V, \pm 10%	1	C1	DIP
11	Electrolytic Capacitor	6.8 μ F,400V, \pm 10%	1	C2	DIP
12	Electrolytic Capacitor	10 μ F,50V, \pm 10%	1	C3	DIP
13	Chip Capacitor	100nF,100V,X7R, \pm 10%	1	C4	SMD0805
14	Chip Capacitor	47pF,100V,X7R, \pm 10%	1	C5	SMD0805
15	Electrolytic Capacitor	680 μ F,10V, \pm 10%	1	C7	DIP Φ 10*16
16	Electrolytic Capacitor	100 μ F,16V, \pm 10%	1	C8	DIP Φ 10*16
17	Chip Capacitor	1nF,1KV,X7R, \pm 10%	1	C9	SMD0805
18	Dacron Capacitor	4.7nF,1KV, \pm 5%	1	C10	DIP
19	Y Capacitor	2.2nF,400V, \pm 20%	1	CY1	DIP
20	Diode	M7,1000V,1A	4	D1 D2 D3 D6	DO-214
21	Diode	IN4007,1000V,1A	1	D4	DO-41
22	Diode	FR107	1	D5	DO-41
23	Rectifier Bridge	B340AL,3A 40V	1	D8	SMC
24	Transformer	EE16,5V,1.5A	1	T1	5*5PIN
25	DM Inductance	1mH, \pm 10%	1	LF1	DIP
26	DM Inductance	2.5 μ H, \pm 10%	1	L1	DIP
27	IC	RM3272S	1	U1	SOP-8
28	PCB	2mm*50mm			

PCB:



DEMO:

