

## Product Overview:

**RM3256AS** is a high-precision CC/CV PSR AC/DC converter controller.

**RM3256AS** can achieve less than 75mW system standby power consumption to meet the six energy efficiency requirements within the full voltage range.

**RM3256AS** integrates 800V power BJT, suitable for high performance and external original compact charger. Because the chip works in the primary detection and control mode, so it does not need opto-coupler and TL431.

**RM3256AS** uses quasi-resonant (QR) drive technology to improve the power tube voltage, EMI and system conversion efficiency.

**RM3256AS** is offered in SOP-7 package.

## System Specifications: 5V/1A

Input Voltage	85Vac-265Vac		Output Power	5W
Power Tube	800V/1.2A		Efficiency	≥ 73.6%
CV tol.	≤ ±3%		Standby Power Consumption	< 75mW
CC tol.	≤ ±3%		Transformer	EPC13

## Typical Application:

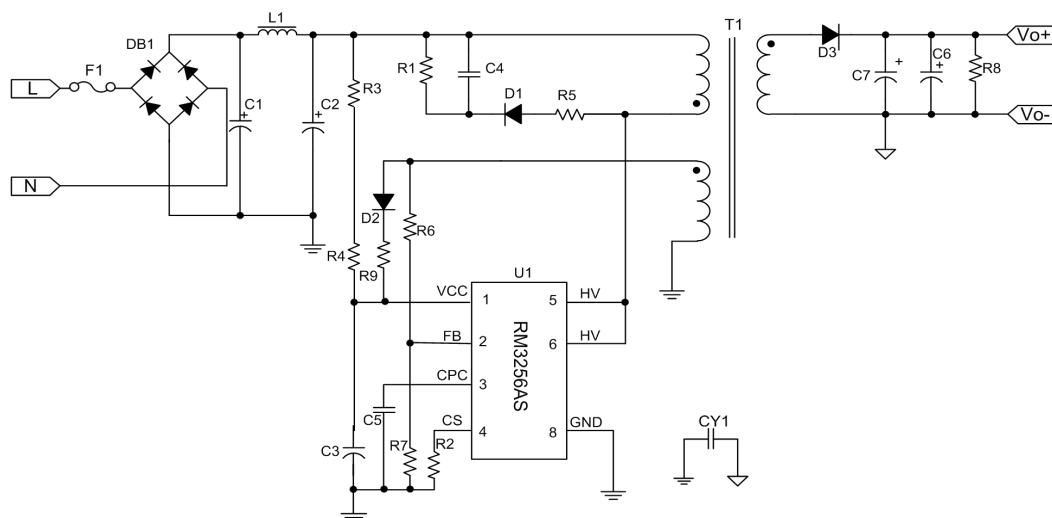
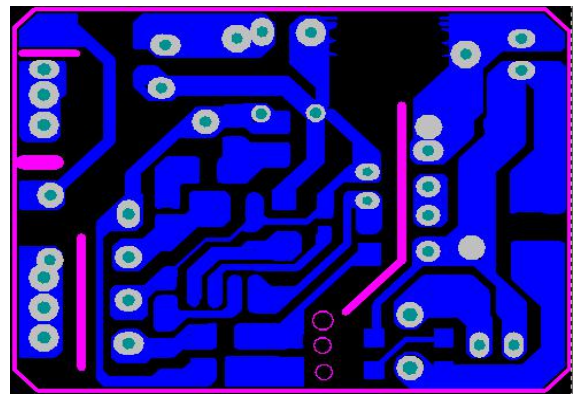
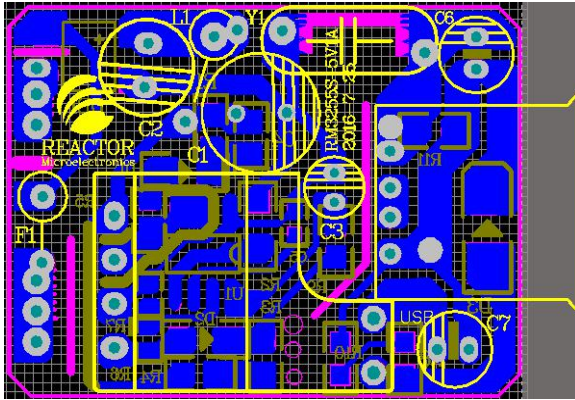


Figure 1. system application schematic

**BOM of the system:**

No	Component	Specification Models	Amount	Location number	Packaging Requirements
1	Fuse	250V,1.0A	1	F1	Φ3*10mm
2	SMD Resistor	200KΩ,0.25W,±5%	1	R1	SMD1206
3	SMD Resistor	1.1Ω,0.25W,±5%	1	R2	SMD1206
4	SMD Resistor	1MΩ,0.125W,±5%	1	R3	SMD0805
5	SMD Resistor	2.2MΩ,0.125W,±5%	1	R4	SMD0805
6	SMD Resistor	180Ω,0.125W,±5%	1	R5	SMD0805
7	SMD Resistor	10KΩ,0.125W,±1%	1	R6	SMD0805
8	SMD Resistor	6.8KΩ,0.125W,±1%	1	R7	SMD0805
9	SMD Resistor	2.2KΩ,0.125W,±5%	1	R8	SMD0805
10	SMD Resistor	2.2Ω,0.1W,±5%	1	R9	SMD0603
11	Electrolytic Capacitor	4.7μF,400V,±10%	1	C1	Φ8*12mm
12	Electrolytic Capacitor	6.8μF,400V,±10%	1	C2	Φ8*13mm
13	Electrolytic Capacitor	10μF,50V,±10%	1	C3	Φ5*10mm
14	Chip Capacitor	1nF,1KV,±10%	1	C4	SMD1206
15	Chip Capacitor	100nF,25V,±10%	1	C5	SMD0805
16	Electrolytic Capacitor	470μF,6.3V,±10%	1	C6	Φ6*7mm
17	Electrolytic Capacitor	470μF,10V,±10%	1	C7	Φ6*12mm
18	Y Capacitor	1nF,400V,±20%	1	CY1	Pin: 10mm DIP
19	Diode	M7,1A,1KV	1	D1	DO-214
20	Diode	A7,1A,1KV	1	D2	SOD-123
21	Schottky Diode	B340,3A,40V	1	D3	DO-214
22	Rectifier Bridge	MB6F,1A,600V	1	DB1	SOP-4
23	DM Inductance	1mH,±10%	1	L1	Φ3*8mm
24	IC	RM3256AS	1	U1	SOP-7
25	Transformer	EPC13, horizontal 4+2	1	T1	
26	PCB	35.6mm*26.5mm*1.2mm	1	PCB	

PCB:



DEMO:

