

Product Overview:

RM3272D is a high performance low power AC/DC adaptor applications.

RM3272D integrates high-voltage power MOSFET, suitable for high-performance, compact charger and adapter. It operates in primary-side sensing and regulation. Consequently, opto-coupler and TL431 could be eliminated.

RM3272D provides comprehensive protection functions, including VDD under voltage lockout (UVLO), Cycle by cycle current protection (OCP), VDD over voltage protection (OVP), over temperature protection (OTP), output short circuit protection (OLP), and CS open / short circuit protection (CS O / SP) and so on.

RM3272D is offered in DIP8 package.

System Specifications: 5V/2A

Input Voltage	85Vac-265Vac	Output Voltage	10W
Power Tube	600V/2A	Efficiency	≥ 73.7%
CV tol.	≤ ±5%	Standby Power Consumption	< 200mW
CC tol.	≤ ±5%	Transformer	EE19

Typical Application:

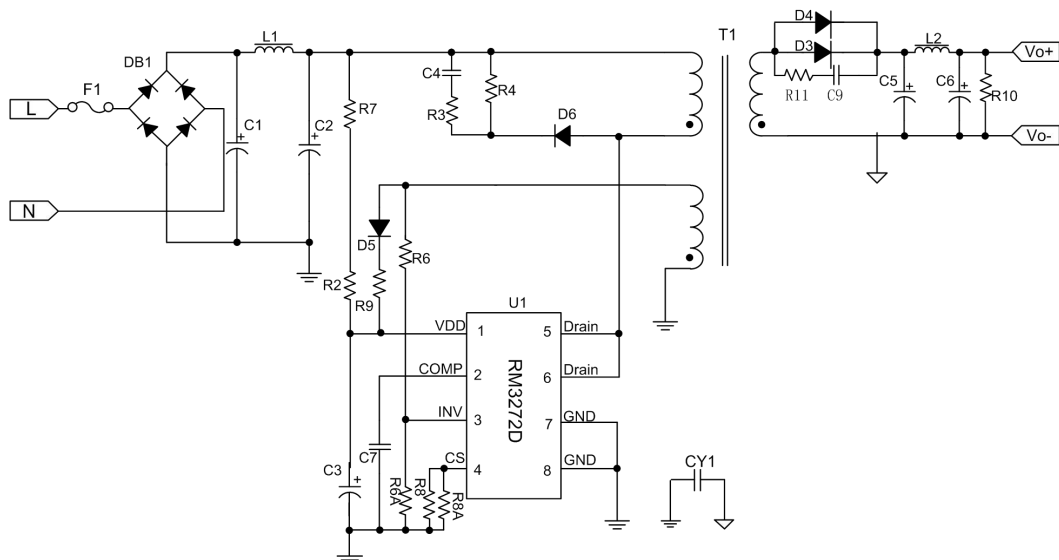
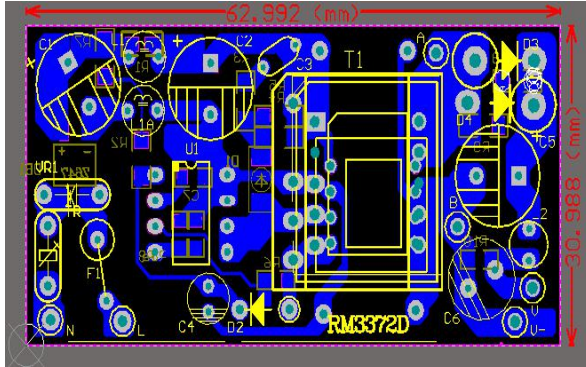


Figure 1. system application schematic

BOM of the system:

No	Component	Specification Models	Amount	Location number	Packaging Requirements
1	Fuse	250V,1A	1	F1	Φ3*10mm
2	SMD Resistor	1.5MΩ,0.25W,±5%,	1	R2	SMD1206
3	SMD Resistor	100Ω,0.25W,±5%,	1	R3	SMD1206
4	SMD Resistor	82KΩ,0.25W,±5%,	1	R4	SMD1206
5	SMD Resistor	21.5KΩ,0.125W,±5%,	1	R6	SMD0805
6	SMD Resistor	2.389KΩ,0.125W,±5%,	1	R6A	SMD0805
7	SMD Resistor	1MΩ,0.25W,±5%,	1	R7	SMD1206
8	SMD Resistor	2.2Ω,0.25W,±5%,	1	R8	SMD1206
9	SMD Resistor	2.4Ω,0.125W,±5%,	1	R8A	SMD0805
10	SMD Resistor	20Ω,0.25W,±5%,	1	R9	SMD1206
11	SMD Resistor	820Ω,0.125W,±5%,	1	R10	SMD0805
12	SMD Resistor	20Ω,0.25W,±5%,	1	R11	SMD1206
13	Electrolytic Capacitor	10μF,400V,±10%	2	C1 C2	DIPΦ10*16mm
14	Electrolytic Capacitor	4.7μF,25V,±10%	1	C3	DIPΦ4mm*8mm
15	Dacron Capacitor	2.2nF,1KV,±10%	1	C4	DIP
16	Electrolytic Capacitor	1000μF,10V,±10%	2	C5 C6	DIPΦ13mm*8mm
17	Chip Capacitor	100nF,25V,±10%	1	C7	SMD0805
18	Chip Capacitor	1nF,1KV,±10%	1	C9	SMD1206
19	Y Capacitor	3.3nF,1KV,±10%	1	CY1	DIP
20	Rectifier Bridge	MB6F,1A,600V	1	DB1	SOP-4
21	Diode	M7,1A,1KV	1	D5	DO-214
22	Diode	FR107,1A,1KV	1	D6	DO-41
23	Diode	SR540,5A,40V	2	D3 D4	DO-201AD
24	DM inductance	1mH,±10%	1	L1	DIPΦ6*8mm
25	DM inductance	24μH,±10%	1	L2	DIPΦ3*5mm
26	IC	RM3272D	1	U1	DIP-8
27	Transformer	EE19, horizontal 5+5	1	T1	
28	PCB	63mm*21mm*1.6mm			

PCB:



DEMO:

